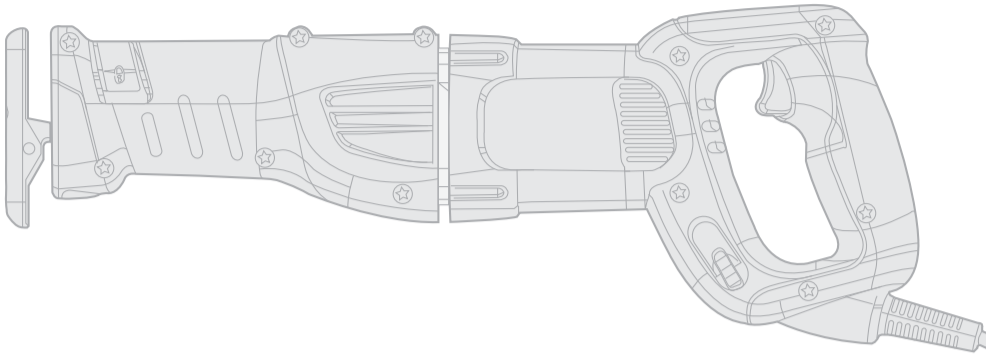


INSTRUCTION MANUAL

RECIPROCATING SAW - Cat. No. RS600, RS601



Thank you for choosing Black & Decker!
Go to www.BlackandDecker.com/NewOwner
to register your new product.

PLEASE READ BEFORE RETURNING THIS PRODUCT FOR ANY REASON:

If you have a question or experience a problem with your Black & Decker purchase, go to [HTTP://WWW.BLACKANDDECKER.COM/INSTANTANSWERS](http://www.BlackandDecker.com/InstantAnswers) for instant answers 24 hours a day.

If you can't find the answer or do not have access to the internet, call 1-800-544-6986 from 8 a.m. to 5 p.m. EST Mon. -- Fri. to speak with an agent. Please have the catalog number available when you call.

SAVE THIS MANUAL FOR FUTURE REFERENCE.

VEA EL ESPAÑOL EN LA CONTRAPORTADA.

INSTRUCTIVO DE OPERACIÓN, CENTROS DE SERVICIO Y PÓLIZA DE GARANTÍA.
ADVERTENCIA: LÉASE ESTE INSTRUCTIVO ANTES DE USAR EL PRODUCTO.

CAT. NO. RS600, RS601

FORM NO. 90556292

Copyright © 2009 Black & Decker

Oct. 2009

Printed in China

General Safety Rules

WARNING: Read and understand all instructions. Failure to follow all instructions listed below may result in electric shock, fire and/or serious personal injury.

SAVE THESE INSTRUCTIONS

Work Area

- **Keep your work area clean and well lit.** Cluttered benches and dark areas invite accidents.
- **Do not operate power tools in explosive atmospheres, such as in the presence of flammable liquids, gases, or dust.** Power tools create sparks which may ignite the dust or fumes. Use in well ventilated areas only.
- **Keep bystanders, children, and visitors away while operating a power tool.** Distractions can cause you to lose control.

Electrical Safety

- **Double insulated tools are equipped with a polarized plug (one blade is wider than the other.) This plug will fit in a polarized outlet only one way. If the plug does not fit fully in the outlet, reverse the plug. If it still does not fit, contact a qualified electrician to install a polarized outlet. Do not change the plug in any way.** Double insulation □ eliminates the need for the three wire grounded power cord and grounded power supply system.
- **Avoid body contact with grounded surfaces such as pipes, radiators, ranges and refrigerators.** There is an increased risk of electric shock if your body is grounded.
- **Don't expose power tools to rain or wet conditions.** Water entering a power tool will increase the risk of electric shock.
- **Do not abuse the cord. Never use the cord to carry the tools or pull the plug from an outlet. Keep cord away from heat, oil, sharp edges or moving parts. Replace damaged cords immediately.** Damaged cords increase the risk of electric shock.
- **When operating a power tool outside, use an outdoor extension cord marked "W-A" or "W."** These cords are rated for outdoor use and reduce the risk of electric shock.

Personal Safety

- **Stay alert, watch what you are doing and use common sense when operating a power tool. Do not use tool while tired or under the influence of drugs, alcohol, or medication.** A moment of inattention while operating power tools may result in serious personal injury.
- **Dress properly. Do not wear loose clothing or jewelry. Contain long hair. Keep your hair, clothing, and gloves away from moving parts.** Loose clothing, jewelry, or long hair can be caught in moving parts. Air vents cover moving parts and should be avoided.
- **Avoid accidental starting. Be sure switch is off before plugging in.** Carrying tools with your finger on the switch or plugging in tools that have the switch on invites accidents.
- **Remove adjusting keys or wrenches before turning the tool on.** A wrench or key that is left attached to a rotating part of the tool may result in personal injury.
- **Do not overreach. Keep proper footing and balance at all times.** Proper footing and balance enables better control of the tool in unexpected situations.
- **Use safety equipment. Always wear eye protection.** Dust mask, non-skid safety shoes, hard hat, or hearing protection must be used for appropriate conditions.

Tool Use and Care

- **Use clamps or other practical way to secure and support the workpiece to a stable platform.** Holding the work by hand or against your body is unstable and may lead to loss of control.
- **Do not force tool. Use the correct tool for your application.** The correct tool will do the job better and safer at the rate for which it is designed.
- **Do not use tool if switch does not turn it on or off.** Any tool that cannot be controlled with the switch is dangerous and must be repaired.
- **Disconnect the plug from the power source before making any adjustments, changing accessories, or storing the tool.** Such preventative safety measures reduce the risk of starting the tool accidentally.
- **Store idle tools out of reach of children and other untrained persons.** Tools are dangerous in the hands of untrained users.
- **Maintain tools with care. Keep cutting tools sharp and clean.** Properly maintained tools, with sharp cutting edges are less likely to bind and are easier to control.
- **Check for misalignment or binding of moving parts, breakage of parts, and any other condition that may affect the tools operation. If damaged, have the tool serviced before using.** Many accidents are caused by poorly maintained tools.
- **Use only accessories that are recommended by the manufacturer for your model.** Accessories that may be suitable for one tool, may become hazardous when used on another tool.

Service

- **Tool service must be performed only by qualified repair personnel.** Service or maintenance performed by unqualified personnel could result in a risk of injury.
- **When servicing a tool, use only identical replacement parts. Follow instructions in the Maintenance section of this manual.** Use of unauthorized parts or failure to follow Maintenance Instructions may create a risk of electric shock or injury.

Specific Safety Rules

- **Hold tool by insulated gripping surfaces when performing an operation where the cutting tool may contact hidden wiring or its own cord.** Contact with a "live" wire will make exposed metal parts of the tool "live" and shock the operator.
- **Keep hands away from cutting area.** Never reach underneath the material for any reason. Hold front of saw by grasping the contoured gripping area. Do not insert fingers or thumb into the vicinity of the reciprocating blade and blade clamp. Do not stabilize the saw by gripping the shoe.
- **Keep blades sharp.** Dull blades may cause the saw to swerve or stall under pressure.
- **Use extra caution when cutting overhead** and pay particular attention to overhead wires which may be hidden from view. Anticipate the path of falling branches and debris ahead of time.
- **When cutting pipe or conduit** ensure that they are free from water, electrical wiring, etc.

WARNING: Some dust created by power sanding, sawing, grinding, drilling, and other construction activities contains chemicals known to cause cancer, birth defects or other reproductive harm. Some examples of these chemicals are:

- lead from lead-based paints,
- crystalline silica from bricks and cement and other masonry products, and
- arsenic and chromium from chemically-treated lumber (CCA).

Your risk from these exposures varies, depending on how often you do this type of work. To reduce your exposure to these chemicals: work in a well ventilated area, and work with approved safety equipment, such as those dust masks that are specially designed to filter out microscopic particles.

- **Avoid prolonged contact with dust from power sanding, sawing, grinding, drilling, and other construction activities. Wear protective clothing and wash exposed areas with soap and water.** Allowing dust to get into your mouth, eyes, or lay on the skin may promote absorption of harmful chemicals.

WARNING: Use of this tool can generate and/or disperse dust, which may cause serious and permanent respiratory or other injury. Always use NIOSH/OSHA approved respiratory protection appropriate for the dust exposure. Direct particles away from face and body.

CAUTION: Wear appropriate hearing protection during use. Under some conditions and duration of use, noise from this product may contribute to hearing loss.

SAFETY GUIDELINES - DEFINITIONS

It is important for you to read and understand this manual. The information it contains relates to protecting YOUR SAFETY and PREVENTING PROBLEMS. The symbols below are used to help you recognize this information.

DANGER: Indicates an imminently hazardous situation which, if not avoided, will result in death or serious injury.

WARNING: Indicates a potentially hazardous situation which, if not avoided, could result in death or serious injury.

CAUTION: Indicates a potentially hazardous situation which, if not avoided, may result in minor or moderate injury.

CAUTION: Used without the safety alert symbol indicates a potentially hazardous situation which, if not avoided, may result in property damage.

The label on your tool may include the following symbols.

Vvolts

Hzhertz

minminutes

— — —direct current

□Class II Construction

⚠safety alert symbol

Aamperes

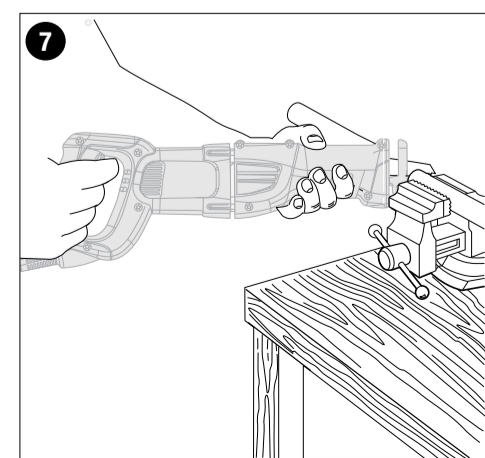
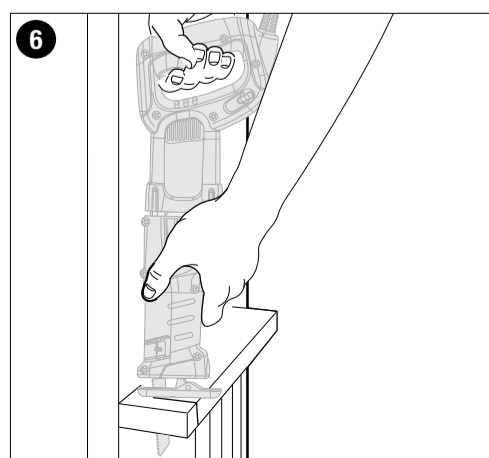
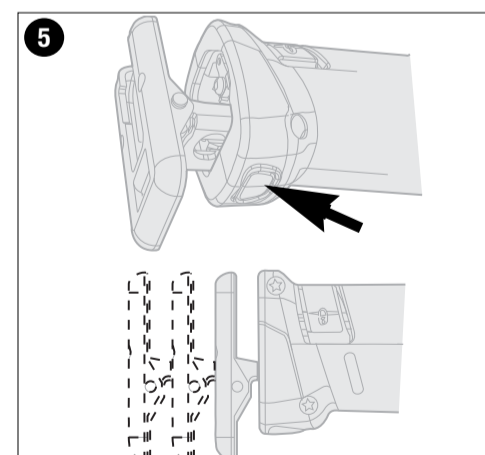
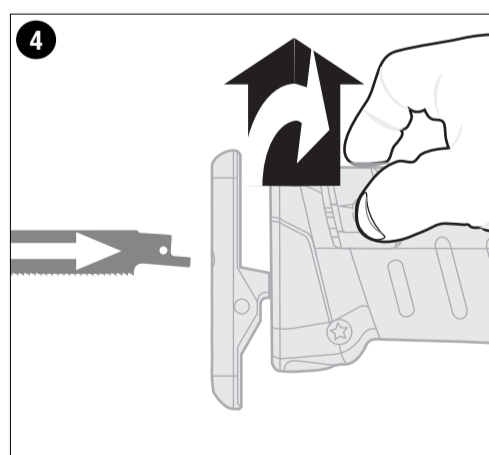
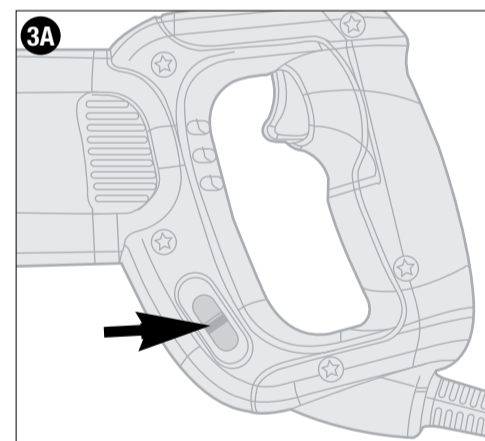
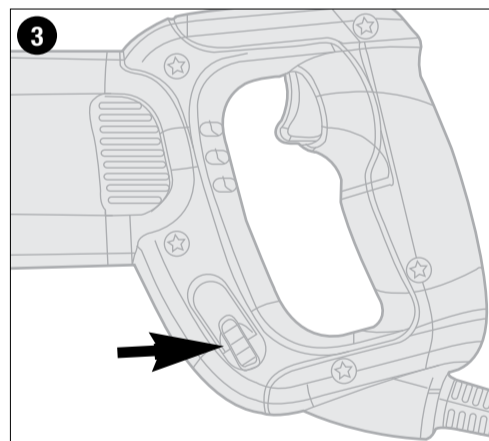
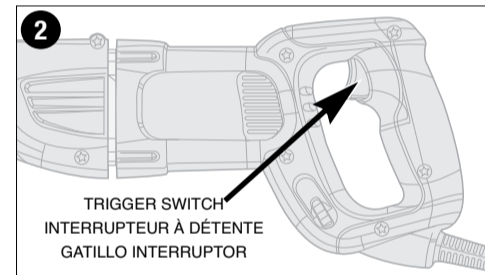
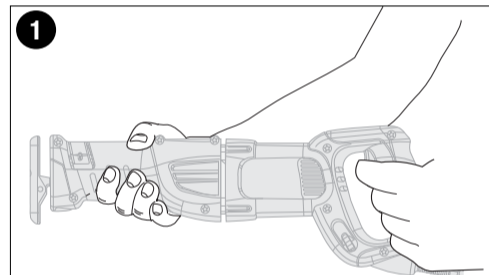
Wwatts

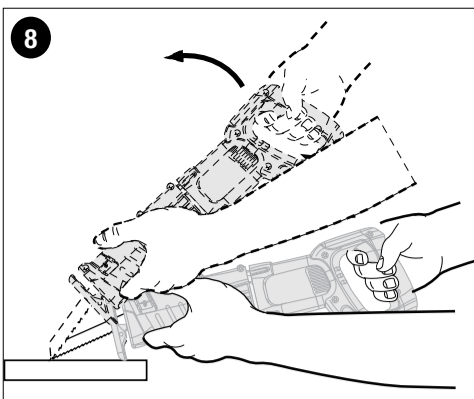
~alternating current

n₀no load speed

⊕earthing terminal

.../minrevolutions or reciprocations per minute





USE OF EXTENSION CORDS

Make sure the extension cord is in good condition before using. Always use the proper size extension cords with the tool – that is, proper wire size for various lengths of cord and heavy enough to carry the current the tool will draw. Use of an undersized cord will cause a drop in line voltage resulting in loss of power and overheating. For proper size cords see chart below.

Volts	Minimum Gauge for Cord Sets				
	Total Length of Cord in Feet				
120V	0-25	26-50	51-100	101-150	
	(0-7,6m)	(7,6-15,2m)	(15,2-30,4m)	(30,4-45,7m)	
240V	0-50	51-100	101-200	201-300	
	(0-15,2m)	(15,2-30,4m)	(30,4-60,9m)	(60,9-91,4m)	
Ampere Rating		American Wire Gage			
More Than	Not more Than				
0	- 6	18	16	16	14
6	- 10	18	16	14	12
10	- 12	16	16	14	12
12	- 16	14	12	Not Recommended	

MOTOR

Be sure your power supply agrees with nameplate marking. 120 Volts AC only means your tool will operate on standard 60 Hz household power. Do not operate AC tools on DC. A rating of 120 volts AC/DC means that you tool will operate on standard 60 Hz AC or DC power. This information is printed on the nameplate. Lower voltage will cause loss of power and can result in over-heating. All Black & Decker tools are factory-tested; if this tool does not operate, check the power supply.

SAVE THESE INSTRUCTIONS

OPERATION

CAUTION: Always wear eye protection while operating this power tool.

NOTE: Before cutting any type of material, be sure it is firmly anchored or clamped to prevent slipping.

- Place blade lightly against work to be cut.
- Switch on saw motor before applying pressure.
- Always hold saw firmly with both hands while cutting as shown in **Figure 1**. Whenever possible, the saw shoe must be held firmly against the material being cut. This will prevent the saw from jumping or vibrating and minimize blade breakage.

SWITCH (ON-OFF) (FIGURE 2)

Depress the trigger switch to turn tool "ON". Releasing the trigger turns the tool "OFF"

NOTE: This tool has no provision to lock the switch in the ON position, and should never be locked in the ON position by any other means.

VARIABLE SPEED SELECTOR WHEEL (FIGURE 3)

The variable speed selector wheel offers a choice of speeds for greatly improved cutting rates in various materials. To select a slower speed for operating the saw, rotate the wheel to a low number on the dial. To select a higher speed, rotate the wheel to a higher number.

TWO-SPEED (DUAL RANGE) SWITCH (FIGURE 3A) RS601 ONLY

The 2-speed selector offers a choice of speeds for greatly improved cutting rates in various materials. Note that the High-Speed setting is more efficient in softer materials such as wood, while the Low-Speed is best for cutting metals.

LOW SPEED (Move slide switch to show 1). For cutting sheet metal, metal pipe, metal conduit, etc.

HIGH SPEED (Move slide switch to show 2). For cutting wood, plastic, composition boards and other similar materials.

BLADE CLAMP RELEASE LEVER (FIGURE 4)

CAUTION: LACERATION HAZARD. TURN OFF AND UNPLUG FROM POWER SUPPLY WHEN CHANGING BLADES.

To install blade into saw:

- Lift the blade clamp release lever to its full open position as shown in Figure 4.
- Insert blade shank from the front locating hole in blade over pin on reciprocating shaft.
- Close blade clamp release lever.
- Check to ensure blade is secure before cutting.

To remove blade from saw:

- Open blade clamp release lever to its full open position.
- Remove blade.

ADJUSTABLE SHOE (FIGURE 5)

CAUTION: TURN OFF AND UNPLUG SAW.

The shoe will adjust to limit the depth of cut. Hold the saw with the underside facing up. Push the button (shown in Figure 5) on the hand grip and slide the shoe out to one of the three settings and release the button.

FLUSH CUTTING (FIGURE 6)

- The compact design of the reciprocating saw motor housing and pivoting shoe permit close cutting to floors, corners and other difficult areas.
- To maximize flush cutting capabilities, insert the blade shaft into the blade clamp with the teeth of the blade facing up.
- Turn the saw upside down so you are as close to the work surface as possible.

METAL CUTTING (FIGURE 7)

- Use a finer blade for ferrous metals and a coarse blade for non-ferrous materials.
- In thin gauge sheet metals it is best to clamp wood to both sides of sheet. This will ensure a clean cut without excess vibration or tearing of metal.
- Avoid forcing cutting blade as this reduces blade life and causes costly blade breakage.

NOTE: Spread a thin film of oil or other coolant along the line ahead of the saw cut for easier operation and longer blade life. For cutting aluminum, kerosene is preferred.

POCKET CUTTING - WOOD ONLY (FIGURE 8)

- Measure the surface area to be cut and mark clearly with a pencil, chalk or scribe.
- Insert blade in blade clamp and tighten blade clamp securely.
- Tip the saw backward until the back edge of the shoe is resting on the work surface and the moving blade will clear the surface.
- Switch motor on, permitting blade to obtain maximum speed.
- Grip handle steadily and begin a slow, deliberate upward swing with the handle of the saw.
- The blade will begin to feed into material. Always be sure blade is completely through material before continuing with pocket cut.

NOTE: In areas where blade visibility is limited, use the edge of the shoe as a guide.

PROJECT TIPS

- Cut only with sharp blades; they cut cleaner, faster and put less strain on the motor while cutting.
- When cutting, always ensure that the shoe is resting firmly against the workpiece. This will improve operator control and minimize vibration.
- For longer blade life, use bi-metal blades. These utilize a carbon steel back welded to high speed steel teeth making the blade more flexible and less prone to breaking.

MAINTENANCE

UNPLUG SAW AND REMOVE ACCESSORY WHEN PERFORMING ANY CLEANING OR OTHER MAINTENANCE. WHEN SERVICING USE ONLY IDENTICAL REPLACEMENT PARTS.

- Avoid using solvents when cleaning plastic parts. Most plastics are susceptible to various types of commercial solvents and may be damaged by their use. Use clean

cloths to remove dirt, carbon dust etc.

- When electric tools are used on fiberglass boats, sports cars, drywall etc., they are subject to accelerated wear and possible premature failure, as the fiberglass chips and grindings and drywall dust are highly abrasive to bearings, brushes, commutator, etc. During any use on fiberglass or drywall it is extremely important that the tool be cleaned frequently by blowing with an air jet.

LUBRICATION

Your saw was properly lubricated before leaving the factory. Once every year take or send your saw to a Black & Decker service center, or authorized service station, for a complete cleaning, inspection and lubrication. Tools "out of service" for long periods should be relubricated before being put back to work.

IMPORTANT: To assure product SAFETY and RELIABILITY, repairs, maintenance and adjustment should be performed by authorized service centers or other qualified service personnel, always using identical replacement parts

ACCESSORIES

BLADES

The RS600 and RS601 Reciprocating Saws will accept up to a 12 inch long blade. Always use the shortest blade suitable for your project but long enough to keep the blade cutting through the material. Longer blades are more likely to be bent or damaged during use. During operation some longer blades may vibrate or shake if the saw is not kept in contact with the workpiece.

PRUNING ATTACHMENT

A pruning attachment is also available for use with your RS600 and RS601 Reciprocating Saw. This accessory attaches to the shoe of the saw and applies spring loaded pressure to the branch while cutting.

Recommended accessories for use with your saw are available from your local dealer or authorized service center. If you need assistance regarding accessories, please call:

1-800-544-6986.

WARNING: The use of any accessory not recommended for use with this tool could be hazardous.

Problem	Troubleshooting	
	Possible Cause	Possible Solution
• Unit will not start.	• Cord not plugged in.	• Plug tool into a working outlet. • Replace circuit fuse. (If the product repeatedly causes the circuit fuse to blow, discontinue use immediately and have it serviced at a Black & Decker service center or authorized servicer.) • Reset circuit breaker. (If the product repeatedly causes the circuit breaker to trip, discontinue use immediately and have it serviced at a Black & Decker service center or authorized servicer.) • Have cord or switch replaced at Black & Decker Service Center or Authorized Servicer.
	• Circuit fuse is blown.	
	• Circuit breaker is tripped.	
	• Cord or switch is damaged.	

For assistance with your product, visit our website www.blackanddecker.com for the location of the service center nearest you or call the BLACK & DECKER help line at **1-800-544-6986**.

SERVICE INFORMATION

All Black & Decker Service Centers are staffed with trained personnel to provide customers with efficient and reliable power tool service. Whether you need technical advice, repair, or genuine factory replacement parts, contact the Black & Decker location nearest you. To find your local service location, refer to the yellow page directory under "Tools—Electric" or call: **1-800-544-6986** or visit www.blackanddecker.com

FULL TWO-YEAR HOME USE WARRANTY

Black & Decker (U.S.) Inc. warrants this product for two years against any defects in material or workmanship. The defective product will be replaced or repaired at no charge in either of two ways.

The first, which will result in exchanges only, is to return the product to the retailer from whom it was purchased (provided that the store is a participating retailer). Returns should be made within the time period of the retailer's policy for exchanges (usually 30 to 90 days after the sale). Proof of purchase may be required. Please check with the retailer for their specific return policy regarding returns that are beyond the time set for exchanges.

The second option is to take or send the product (prepaid) to a Black & Decker owned or authorized Service Center for repair or replacement at our option. Proof of purchase may be required. Black & Decker owned and authorized Service Centers are listed under "Tools-Electric" in the yellow pages of the phone directory.

This warranty does not apply to accessories. This warranty gives you specific legal rights and you may have other rights which vary from state to state or province to province. Should you have any questions, contact the manager of your nearest Black & Decker Service Center. This product is not intended for commercial use.

FREE WARNING LABEL REPLACEMENT: If your warning labels become illegible or are missing, call **1-800-544-6986** for a free replacement.

LATIN AMERICA: This warranty does not apply to products sold in Latin America. For products sold in Latin America, check country specific warranty information contained in the packaging, call the local company or see the website for warranty information.

Black & Decker
(U.S.) Inc.,
701 E. Joppa Rd.
Towson, MD 21286
U.S.A.



See 'Tools-
Electric'
– Yellow Pages –
for Service &
Sales



MODE D'EMPLOI

Merci d'avoir choisi Black & Decker!
Consulter le site Web
www.BlackandDecker.com/NewOwner
pour enregistrer votre nouveau produit.

À LIRE AVANT DE RETOURNER CE PRODUIT POUR QUELQUE RAISON QUE CE SOIT :

Si des questions ou des problèmes surgissent après l'achat d'un produit Black & Decker, consulter le site Web

[HTTP://WWW.BLACKANDDECKER.COM/INSTANTANSWERS](http://WWW.BLACKANDDECKER.COM/INSTANTANSWERS)

pour obtenir des réponses instantanément 24 heures par jour.

Si la réponse est introuvable ou en l'absence d'accès à Internet, composer le 1-800-544-6986 de 8 h à 17 h HNE, du lundi au vendredi, pour parler avec un agent.

Prière d'avoir le numéro de catalogue sous la main lors de l'appel.

CONSERVER LE PRÉSENT GUIDE À TITRE DE RÉFÉRENCE

Règles de sécurité générales

AVERTISSEMENT : S'assurer de lire et de comprendre toutes les directives. Ne pas suivre les directives figurant ci-après peut causer un choc électrique, un incendie et des blessures corporelles graves.

CONSERVER CES DIRECTIVES

Espace de travail

- Tenir l'espace de travail propre et bien éclairé. Les bancs de scie encombrés et les endroits sombres sont souvent des causes d'accidents.

- Ne pas faire fonctionner d’outils électriques dans une atmosphère inflammable, soit en présence de liquides inflammables, de gaz ou de poussière.** Les outils électriques produisent des étincelles qui peuvent enflammer la poussière ou les vapeurs. Ne les utiliser que dans les endroits bien aérés.
- Éloigner les curieux, les enfants et les visiteurs au moment d'utiliser un outil électrique.** Une distraction pourrait vous en faire perdre la maîtrise.

Sécurité en matière d'électricité

- Les outils à double isolation sont dotés d’une fiche polarisée (une lame de contact est plus large que l’autre).** Cette fiche ne se branche que d’une seule façon dans une prise de courant polarisée. Si la fiche ne s’insère pas totalement dans la prise de courant, l’inverser. Si elle ne s’insère toujours pas dans la prise, demander à un électricien compétent d’installer une fiche polarisée. Ne pas remplacer la fiche. La double isolation ☐ élimine la nécessité d’utiliser un cordon d’alimentation muni d’une fiche à trois fils avec mise à la terre et un bloc d’alimentation avec mise à la terre.
- Éviter tout contact physique avec des surfaces mises à la terre comme des tuyaux, des cuisinières ou des réfrigérateurs.** Le risque de choc électrique est plus élevé lorsque votre corps est mis à la terre.
- Ne pas exposer ses outils électriques à la pluie ou à un environnement humide.** La pénétration de l’eau dans un outil électrique augmente le risque de choc électrique.
- Ne pas utiliser abusivement le cordon d’alimentation. Ne pas utiliser le cordon d’alimentation pour transporter l’outil ni tirer dessus pour le débrancher de la prise de courant. Tenir le cordon éloigné de la chaleur, de l’huile, des bords tranchants ou des pièces mobiles. Remplacer immédiatement tout cordon endommagé.** Un cordon endommagé augmente le risque de choc électrique.
- Lorsqu’un outil électrique est utilisé à l’extérieur, utiliser une rallonge pour l’extérieur portant la mention « W-A » ou « W ».** Ces rallonges sont classées pour un usage extérieur, ce qui réduit le risque de choc électrique.

Sécurité personnelle

- Être vigilant, surveiller le travail effectué et faire preuve de jugement lorsqu’un outil électrique est utilisé. Ne pas utiliser d'outil en cas de fatigue ou de prise de drogue, d'alcool ou de médicaments.** Un moment d’inattention, durant l’utilisation d’un outil électrique, peut se solder par des blessures graves.
- S’habiller de manière appropriée. Ne pas porter de vêtements amples ni de bijoux. Attacher les cheveux longs. Garder les cheveux, les vêtements et les gants à l'écart des pièces mobiles.** Les vêtements amples, bijoux ou cheveux longs pourraient s'enchevêtrer dans les pièces mobiles. Se tenir à l'écart des événements, car ils couvrent des pièces mobiles.
- Attention de ne pas mettre en marche l’outil accidentellement. S’assurer que l’interrupteur est en position d’arrêt avant de brancher l’outil.** Transporter un outil en gardant le doigt sur l’interrupteur ou le brancher alors que l’interrupteur est enclenché risque de provoquer des accidents.
- Retirer les clés de réglage ou les clés à ouverture fixe avant de mettre l’outil en marche.** Une clé ou à molette ou une clé de réglage attachée à une partie pivotante peut causer des blessures.
- Ne pas trop tendre les bras. Conserver son équilibre en tout temps.** Un équilibre convenable vous permettra de maîtriser l’outil en situation inattendue.
- Utiliser un équipement de sécurité. Toujours porter des verres protecteurs.** Selon les conditions, porter un masque anti-poussières, des chaussures antidérapantes, un casque de sécurité ou des protecteurs d'oreilles.

Utilisation et entretien de l'outil

- Utiliser des brides de fixation ou tout autre dispositif de fixation permettant de soutenir et de retenir la pièce sur une plate-forme stable.** Tenir la pièce avec la main ou contre son corps est instable et risque de provoquer une perte de maîtrise de l’outil.
- Ne pas forcer l’outil. Utiliser le bon outil pour votre application.** Le bon outil effectuera le travail de la bonne façon et en toute sécurité.
- Ne pas utiliser l’outil si l’interrupteur ne fonctionne pas.** Tout outil dont l'interrupteur ne fonctionne pas est dangereux et doit être réparé.
- Débrancher la fiche du bloc d’alimentation avant de faire quelque ajustement que ce soit, de changer d’accessoire ou de ranger l’outil.** Une telle mesure de sécurité préventive réduit le risque de mettre l’outil en marche accidentellement.
- Ranger les outils au repos hors de la portée des enfants et des personnes sans expérience.** Les outils deviennent des appareils très dangereux dans des mains inexpérimentées.
- Prendre soin de vos outils. S’assurer que les outils coupants sont aiguisés et propres.** Bien entretenus, les outils de coupe affûtés risquent moins de coincer et sont plus faciles à maîtriser.
- Vérifier si les pièces mobiles sont désalignées ou coincées, s’il y a des pièces brisées ou tout autre trouble pouvant nuire au fonctionnement de l’outil. En cas de dommages, faire réparer l’outil avant de l’utiliser.** Beaucoup d’accidents sont causés par des outils mal entretenus.
- N'utiliser que les accessoires conseillés par le fabricant pour le modèle de votre outil.** Des accessoires qui conviennent à un outil peuvent devenir dangereux lorsqu'ils sont utilisés avec un autre outil.

Réparation

- La réparation de l’outil doit être exécutée uniquement par un personnel de réparation professionnel.** Toute réparation ou tout entretien réalisé par un personnel non formé peut causer un risque de blessures.
- Pour réparer un outil, n’utiliser que des pièces de rechange identiques. Suivre les directives figurant à la section « Entretien » du mode d’emploi.** L'utilisation de pièces non autorisées ou le fait de ne pas suivre les directives d’entretien, peut entraîner un risque de choc électrique ou de blessure corporelle.

Règles de sécurité spécifiques

- Tenir l’outil par sa surface de prise isolée dans une situation où l’outil de coupe peut entrer en contact avec un câblage caché ou avec son propre cordon d’alimentation.** Tout contact avec un fil « sous tension » mettra « sous tension » les pièces métalliques de l’outil et provoquera un choc électrique chez l’opérateur de l’outil.
- Tenir les mains éloignées de la zone** de découpe. Ne jamais mettre la main sous le matériau pour quelque raison que ce soit. Tenir la partie avant de la scie par sa zone de prise profilée. Ne pas mettre les doigts ou le pouce à proximité de la scie alternative et du mécanisme de serrage de la lame. Ne pas stabiliser la scie en saisissant la semelle.
- Maintenir les lames affûtées.** Les lames émoussées peuvent faire zigzaguer la lame ou la bloquer sous la pression.
- Être très prudent pour effectuer une coupe au-dessus de votre tête et porter une attention accrue aux fils en hauteur pouvant être cachés.** Prévoir la direction de la chute des branches et de débris.
- Au moment de couper un tuyau ou un conduit,** s’assurer qu’ils sont exempts d’eau, de câblage électrique, etc.

⚠**AVERTISSEMENT : Certaines poussières produites par les activités de ponçage, de sciage, de meulage, de perçage et autres activités de construction peuvent contenir des produits chimiques pouvant causer le cancer, des anomalies congénitales ou d'autres dangers pour la reproduction. Voici quelques exemples de ces produits chimiques :**

- le plomb contenu dans les peintures à base de plomb;
- la silice cristalline de la brique, du ciment et d'autres produits de maçonnerie ;
- l'arsenic et le chrome provenant du bois traité chimiquement (arséniate de cuivre et de chrome).

Les risques reliés à l'exposition à ces poussières varient selon la fréquence à laquelle l'utilisateur effectue ce type de travail. Afin de réduire votre exposition à ces produits chimiques : travailler dans un endroit bien ventilé ; porter un équipement de sécurité homologué comme le masque antipoussières conçu spécialement pour filtrer les particules microscopiques.

- Éviter le contact prolongé avec les poussières produites par les activités de ponçage, sciage, meulage, perçage et autres activités de construction. Porter des vêtements de protection et laver les parties exposées au savon et à l’eau.** Laisser la poussière pénétrer dans la bouche, les yeux ou reposer sur la peau favorise l’absorption de produits chimiques nocifs.

⚠**AVERTISSEMENT : L’utilisation de cet outil peut produire de la poussière et la disperser, ce qui peut causer des troubles respiratoires graves et permanents et d’autres blessures.** Toujours utiliser un dispositif de protection respiratoire homologué par le NIOSH/OSHA qui permet de protéger contre la poussière. Diriger les particules loin du visage et du corps.

⚠**MISE EN GARDE : Porter un dispositif de protection anti-bruit pendant l’utilisation de l’outil.** Dans certaines conditions et selon la durée d’utilisation, le bruit causé par ce produit peut contribuer à une perte auditive.

LIGNES DIRECTRICES EN MATIÈRE DE SÉCURITÉ - DÉFINITIONS

Il est important que vous lisiez et compreniez ce mode d’emploi. Les informations qu’il contient concernent VOTRE SÉCURITÉ et visent à ÉVITER TOUT PROBLÈME. Les symboles ci-dessous servent à vous aider à reconnaître cette information.

⚠ **DANGER :** Indique une situation dangereuse imminente qui, si elle n’est pas évitée, causera la mort ou des graves blessures.

⚠ **AVERTISSEMENT :** Indique une situation potentiellement dangereuse qui, si elle n’est pas évitée, pourrait causer la mort ou de graves blessures.

⚠ **MISE EN GARDE :** Indique une situation potentiellement dangereuse qui, si elle n’est pas évitée, pourrait causer des blessures mineures ou modérées.

MISE EN GARDE : Utilisé sans le symbole d’alerte à la sécurité, indique une situation potentiellement dangereuse qui, si elle n’est pas évitée, peut résulter en des dommages à la propriété.

L’étiquette apposée sur votre outil peut comprendre les symboles suivants.

V	volts	A.....	ampères
Hz	hertz	W.....	watts
min ..	minutes	~	courant alternatif
— — —	courant continu	<i>n</i> o	vitesse à vide
☐	assemblage de classe II	⊕	borne de terre
⚠	symbole d’alerte à la sécurité	.../min	min ou alternances par minute

Utilisation de rallonges

S’assurer que la rallonge est en bon état avant de l’utiliser. Toujours utiliser une rallonge de calibre approprié avec l’outil, c’est-à-dire un calibre de fil approprié pour des cordons de diverses longueurs et dont l’intensité est suffisante pour transporter le courant débité par l’outil. L’utilisation d’un cordon de calibre inférieur causera une chute de tension de ligne et donc une perte de puissance et une surchauffe. Pour connaître les cordons de bon calibre à utiliser, consulter le tableau suivant.

	Calibre minimal des cordons de rallonge				
Tension	Longueur totale du cordon en pieds				
120V	0-25	26-50	51-100	101-150	
	(0-7,6m)	(7,6-15,2m)	(15,2-30,4m)	(30,4-45,7m)	
240V	0-50	51-100	101-200	201-300	
	(0-15,2m)	(15,2-30,4m)	(30,4-60,9m)	(60,9-91,4m)	
Intensité (A)	Calibre moyen des fils (AWG)				
Au moins	Au plus				
0	- 6	18	16	16	14
6	- 10	18	16	14	12
10	- 12	16	16	14	12
12	- 16	14	12	Non recommandé	

Moteur

S’assurer que le bloc d’alimentation est compatible avec l’inscription de la plaque signalétique. 120 volts c.a. signifie seulement que l’outil fonctionnera sur une alimentation domestique standard de 60 Hz. Ne pas faire fonctionner des outils à courant alternatif (c.a.) sur un courant continu (c.c.). Un régime nominal de 120 volts c.a./c.c. signifie que l’outil fonctionnera avec une alimentation standard 60 Hz c.a. ou c.c. Ce renseignement figure sur la plaque signalétique. Une plus faible tension entraînera une baisse de régime, ce qui peut entraîner une surchauffe. Tous les outils Black & Decker sont testés en usine; si cet outil ne fonctionne pas, vérifier le bloc d’alimentation.

CONSERVER CES DIRECTIVES

FONCTIONNEMENT

⚠**MISE EN GARDE :** Toujours porter une protection oculaire durant l’utilisation de cet outil électrique.

REMARQUE : Avant de couper tout matériau, s’assurer que ce dernier est bien ancré ou serré dans un étau pour éviter tout glissement.

- Placer la lame légèrement contre la pièce à couper.
- Mettre en marche le moteur de la scie avant d’appliquer toute pression.
- Toujours tenir fermement la scie des deux mains durant la coupe d’une pièce comme le montre la **figure 1**. Chaque fois que c’est possible, la semelle de la scie doit être maintenu fermement contre le matériau à couper. Cela évite tout écart ou vibration de la scie et réduira le bris de lame.

INTERRUPTEUR (MARCHE-ARRÊT) (FIGURE 2)

Enfoncer la gâchette pour mettre l’outil à la position de MARCHE. Le fait de relâcher la gâchette règle l’outil à la position d’ARRÊT. **REMARQUE :** Cet outil n’est doté d’aucun dispositif permettant de verrouiller l’interrupteur à la position de MARCHE ; il ne doit donc jamais être verrouillé à cette position par quelque moyen que ce soit.

ROUE SÉLECTRICE DE VITESSE VARIABLE (FIGURE 3)

Cette roue sélectrice offre un choix de vitesses permettant d’améliorer grandement les vitesses de coupe de divers matériaux. Pour choisir une vitesse inférieure pour le fonctionnement de la scie, tourner la roue à un chiffre inférieur figurant sur le cadran. Pour choisir une vitesse plus élevée, tourner la roue à un chiffre supérieur.

INTERRUPTEUR À DEUX VITESSES (DEUX PLAGES) (FIGURE 3A) (RS601)

Le bouton de sélection à deux vitesses offre un choix de vitesses permettant d’accroître grandement la vitesse de coupe de différents matériaux. Il est à noter que le réglage de vitesse élevée assure plus d’efficacité pour les matériaux mous comme le bois alors que le réglage de basse vitesse est préférable pour couper les métaux.

BASSE VITESSE (Déplacer l’interrupteur à glissière de manière à indiquer LO (1). Pour la coupe de tôle, de tuyaux ou de conduits métalliques, etc.

VITESSE ÉLEVÉE (Déplacer l’interrupteur à glissière de manière à indiquer HI (2). Pour la coupe du bois, du plastique, des planches composites et d’autres matériaux semblables.

LEVIER DE DÉGAGEMENT DU MÉCANISME DE SERRAGE DE LA LAME (FIGURE 4)

⚠**MISE EN GARDE :** ÉTEINDRE L’OUTIL, PUIS le débrancher pour le changement de lame.

Pour insérer une lame dans la scie :

- Soulever le levier de dégagement de la bride de lame de manière à l’ouvrir complètement comme le montre la figure 4.
- Insérer la queue de la lame, à partir du trou de localisation avant situé dans la lame, sur la tige de l’arbre alternatif.
- Fermer le levier de dégagement de la bride de lame.
- S’assurer que la lame est fixe avant d’effectuer une coupe.

Pour retirer la lame de la scie :

- Ouvrir complètement le levier de dégagement de la bride de lame.
- Retirer la lame.

SEMELLE RÉGLABLE (FIGURE 5)

⚠**MISE EN GARDE :** METTRE LA SCIE HORS TENSION ET LA DÉBRANCHER.

La semelle se réglera de manière à limiter la profondeur de la coupe. Tenir la scie de manière à ce que sa face inférieure soit vers le haut. Enfoncer le bouton (illustré à la figure 5) logé sur la poignée, puis glisser la semelle à une des trois positions et relâcher le bouton.

COUPE À RAS (FIGURE 6)

- Le modèle compact du boîtier du moteur et de la semelle pivotante de la scie alternative permet une coupe à ras aux planchers, dans les coins et dans tous les autres endroits difficiles d’accès.
- Pour accroître la possibilité de coupe à ras, insérer l’arbre de la lame dans la bride de lame de manière à ce que les dents de la lame soient vers le haut.
- Inverser la scie de manière à être aussi près que possible de la surface de la pièce.

COUPE DU MÉTAL (FIGURE 7)

- Utiliser une lame plus fine pour les métaux ferreux et une lame pour grossière pour les matériaux non ferreux.
- Pour la tôle de fin calibre, il est préférable de serrer un morceau de bois de chaque côté de la tôle. Cela permet d’assurer une coupe nette sans vibration excessive ou déchirure de la tôle.
- Éviter de forcer la lame de coupe, car cela réduit sa durée de vie et provoque des bris de lame coûteux.

REMARQUE : Étendre un mince film d’huile ou de tout autre fluide de refroidissement le long de la ligne devant le trait de scie pour faciliter le fonctionnement de l’outil et accroître la durée de vie de la lame. Il est préférable d’utiliser du kérosène pour couper l’aluminium.

DÉCOUPE EN POCHE – BOIS SEULEMENT (FIGURE 8)

- Mesurer la zone à couper et la marquer clairement avec un crayon, une craie ou une pointe à tracer.
- Insérer la lame dans sa bride, puis bien serrer cette dernière.
- Incliner la scie vers l'arrière de manière à ce que le bord arrière de la semelle repose contre la surface de la pièce, la surface sera dégagée de la lame mobile.
- Mettre le moteur en marche et laisser la lame atteindre sa vitesse maximale.
- Saisir la poignée de la scie de manière constante et imprimer un mouvement ascendant lent.
- La lame pénétrera dans le matériau. Toujours s'assurer que la lame traverse complètement le matériau avant de continuer la découpe en poche.

REMARQUE : Dans les endroits où la visibilité de la lame est limitée, utiliser le bord de la semelle comme guide.

CONSEILS POUR LES PROJETS

- Effectuer une coupe uniquement au moyen de lames affûtées, la coupe est plus nette, plus rapide et l'effort subi par le moteur est moindre durant la coupe.
- Pour effectuer une coupe, toujours s'assurer que la semelle repose fermement contre la pièce. Cela permet à l'opérateur d'avoir une plus grande maîtrise et de réduire les vibrations.
- Pour assurer une durée de vie accrue de la lame, utiliser des lames bimétalliques. Cette lame est constituée d'acier au carbone soudé à l'envers sur les dents en acier à coupe rapide, ce qui rend la lame plus flexible et donc moins sujette à se briser.

ENTRETIEN

DÉBRANCHER LA SCIE ET ENLEVER L'ACCESSOIRE POUR EFFECTUER TOUT NETTOYAGE OU AUTRE ENTRETIEN. EN CAS DE RÉPARATION, UTILISER UNIQUEMENT DES PIÈCES DE RECHANGE IDENTIQUES.

- Éviter l'utilisation de solvants pour nettoyer les pièces de plastique. La plupart des plastiques sont sensibles aux différents types de solvants commerciaux et risquent d'être endommagés par l'utilisation de solvants. Utiliser des chiffons propres pour enlever la saleté, la poussière de carbone, etc.
- Les outils électriques utilisés sur des bateaux en fibre de verre, des voitures sport, des cloisons sèches, etc. subissent une usure accélérée et peuvent présenter une défaillance prématurée, car les copeaux de fibre de verre, les particules de meulage et la poussière de cloison sèche sont hautement abrasifs pour les roulements, les balais, le collecteur, etc. Durant l'utilisation de l'outil sur de la fibre de verre ou une cloison sèche, il est très important que l'outil soit fréquemment nettoyé par jet d'air.

GRAISSAGE

Votre scie à été bien lubrifiée avant de quitter l'usine. À chaque année, apporter ou envoyer sa scie à un centre de réparation Black & Decker ou à un centre de réparation autorisé pour subir un nettoyage complet, une inspection et une lubrification. Les outils « inutilisés » pendant une longue période doivent être lubrifiés de nouveau avant d'être réutilisés.

IMPORTANT : Pour garantie la SÉCURITÉ et la FIABILITÉ du produit, les réparations, l'entretien et le réglage doivent être réalisés par un centre de réparation autorisé ou tout autre centre de réparation professionnel et les des pièces de rechange identiques doivent être utilisées.

ACCESSOIRES

LAMES

La scie alternative RS600, RS601 est compatible avec toute lame de longueur maximale de 12 po. Toujours utiliser la plus petite lame convenant à votre projet, mais sa longueur doit être suffisante pour pouvoir traverser le matériau. Les lames longues risquent davantage d'être pliées ou endommagées durant leur utilisation. Durant leur utilisation, certaines lames longues peuvent vibrer ou émettre des secousses si la scie n'est pas maintenue en contact avec la pièce.

ACCESSOIRE D'ÉLAGAGE

Il est aussi possible de se procurer un accessoire d'élagage à utiliser avec la scie alternative RS600, RS601. Cet accessoire se fixe à la semelle de la scie et applique une pression à ressort sur la branche à couper.

Les accessoires recommandés pouvant être utilisés avec la scie sont disponibles auprès du distributeur ou centre de réparation autorisé de votre région. Pour tout renseignement concernant les accessoires, veuillez appeler au : **1-800-544-6986**.

⚠ AVERTISSEMENT : L'utilisation de tout accessoire non recommandé avec cet outil pourrait s'avérer dangereuse.

DÉPANNAGE

Problème	Cause possible	Solution possible
• L'appareil refuse de démarrer.	• Cordon d'alimentation non branché. • Le fusible du circuit est grillé.	• Brancher l'outil dans une prise qui fonctionne. • Remplacer le fusible du circuit. (Si le produit fait griller de façon répétée le fusible du circuit, arrêter immédiatement d'utiliser le produit et le faire réparer dans un centre de réparation Black & Decker ou un centre de réparation autorisé.)
• Le disjoncteur est déclenché.	• Le cordon d'alimentation ou la prise de courant est endommagé(e).	• Remettre le disjoncteur à zéro . (Si le produit fait déclencher de façon répétée le disjoncteur, arrêter immédiatement d'utiliser le produit et le faire réparer dans un centre de réparation Black & Decker ou un centre de réparation autorisé.) • Faire remplacer le cordon ou l'interrupteur au centre de réparation Black & Decker ou à un centre de réparation autorisé.

Pour obtenir de l'aide avec l'outil, consulter notre site Web **www.blackanddecker.com** pour l'emplacement du centre de réparation le plus près ou communiquer avec l'assistance **BLACK & DECKER** au **1-800-544-6986**.

INFORMATION SUR LES RÉPARATIONS

Black & Decker dispose d'un réseau complet de centres de réparation et de centres autorisés situés partout en Amérique du Nord. Tous les centres de réparation Black & Decker sont dotés de personnel qualifié en matière d'outillage électrique; ils sont donc en mesure d'offrir à leur clientèle un service efficace et fiable. Que vous ayez besoin d'un avis technique, d'une réparation ou de pièces de rechange authentiques installées en usine, communiquez avec l'établissement Black & Decker le plus près de chez vous. Pour trouver l'établissement de réparation de votre région, consulter le répertoire des pages jaunes à la rubrique « Outils électriques » ou composez le numéro suivant : **1-800-544-6986**

GARANTIE COMPLÈTE DE DEUX ANS

Black & Decker (É.-U.) Inc. garantit ce produit pour une durée de deux ans contre tout défaut de matériau ou de fabrication. Le produit défectueux sera remplacé ou réparé sans frais de l'une des deux façons suivantes :

La première façon consiste en un échange chez le détaillant où le produit a été acheté (à la condition que le magasin soit un détaillant participant). Tout retour doit se faire durant la période correspondant à la politique d'échange du détaillant (habituellement, de 30 à 90 jours après l'achat). Une preuve d'achat peut être requise. Vérifier auprès du détaillant pour connaître sa politique concernant les retours hors de la période définie pour les échanges.

La deuxième option est d'apporter ou d'envoyer le produit (transport payé d'avance) à un centre de réparation autorisé ou à un centre de réparation de Black & Decker pour faire réparer ou échanger le produit, à notre discrétion. Une preuve d'achat peut être requise. Les centres de service de Black & Decker et les centres de réparation autorisés sont répertoriés dans les pages jaunes sous la rubrique « Outils électriques » du bottin téléphonique et sur notre site Web **www.blackanddecker.com**.

Cette garantie ne s'applique pas aux accessoires. Cette garantie vous accorde des droits légaux spécifiques et vous pourriez avoir d'autres droits qui varient d'un État ou d'une province à l'autre. Si vous avez des questions, communiquez avec le directeur du centre de réparation Black & Decker le plus près de chez vous.

REMPLACEMENT GRATUIT DES ÉTIQUETTES D'AVERTISSEMENT : Si vos étiquettes d'avertissement deviennent illisibles ou sont manquantes, composer le **1-800-544-6986** pour faire remplacer gratuitement vos étiquettes.

Imported by / Importé par
Black & Decker Canada Inc.
100 Central Ave.
Brockville (Ontario) K6V 5W6

Voir la rubrique "Outils électriques"
des Pages Jaunes
pour le service et les ventes.



MANUAL DE INSTRUCCIONES

Gracias por elegir Black & Decker!
Visite www.BlackandDecker.com/NewOwner
para registrar su nuevo producto.

LEA EL MANUAL ANTES DE DEVOLVER ESTE PRODUCTO POR CUALQUIER MOTIVO:

Si tiene una consulta o algún inconveniente con su producto Black & Decker, visite [HTTP://WWW.BLACKANDDECKER.COM/INSTANTANSWERS](http://www.blackanddecker.com/instantanswers)

para obtener respuestas instantáneas las 24 horas del día.

Si no encuentra la respuesta o no tiene acceso a Internet, llame al 1-800-544-6986 de lunes a viernes de 8 a.m. a 5 p.m. hora del Este para hablar con un agente.

Cuando llame, tenga a mano el número de catálogo.


CONSERVE ESTE MANUAL PARA FUTURAS CONSULTAS.

⚠ Normas generales de seguridad

⚠ ADVERTENCIA: Lea y comprenda todas las instrucciones. El incumplimiento de todas y cada una de las instrucciones enumeradas debajo puede provocar descarga eléctrica, incendio o daños personales serios.

CONSERVE ESTAS INSTRUCCIONES

Área de trabajo

- **Mantenga el área de trabajo limpia y bien iluminada.** Los bancos de trabajo abarrotados y las áreas oscuras propician accidentes.
 - **No opere herramientas eléctricas en atmósferas explosivas, como ambientes donde se encuentran líquidos, gases o polvo inflamables.** Las herramientas eléctricas originan chispas que pueden encender el polvo o los vapores. Utilícelas sólo en lugares bien ventilados.
 - **Mantenga a espectadores, niños y visitantes alejados de la herramienta eléctrica en funcionamiento.** Las distracciones pueden provocar la pérdida de control.
- #### Seguridad eléctrica
- **Las herramientas con doble aislamiento están equipadas con un enchufe polarizado (una hoja es más ancha que la otra). Este enchufe se ajustará en un tomacorriente polarizado de una sola manera. Si el enchufe no se ajusta totalmente al tomacorriente, invierta el enchufe. Si aun así no se ajusta bien, busque un electricista experto para que instale un tomacorriente polarizado. No cambie el enchufe de ninguna manera.** El doble aislamiento  elimina la necesidad de un cable de alimentación de tres conductores de puesta a tierra y de un sistema de puesta a tierra.
 - **Evite el contacto corporal con superficies puestas a tierra, como por ejemplo tuberías, radiadores, rangos y refrigeradores.** Existe mayor riesgo de descarga eléctrica si su cuerpo está puesto a tierra.
 - **No exponga las herramientas eléctricas a la lluvia o a condiciones de humedad.** Si ingresa agua a una herramienta eléctrica, aumentará el riesgo de descarga eléctrica.
 - **No maltrate al cable. Nunca use el cable para transportar las herramientas ni tire del enchufe para sacarlo del tomacorriente. Mantenga el cable lejos del calor, aceite, bordes afilados o piezas móviles. Reemplace los cables dañados en forma inmediata.** Los cables dañados aumentan el riesgo de descarga eléctrica.
 - **Cuando utilice una herramienta eléctrica en exteriores, utilice cables de prolongación para exteriores marcados como "W-A" o "W".** Estos cables están clasificados para uso en exteriores y reducen el riesgo de descarga eléctrica.

Seguridad personal

- **Permanezca alerta, controle lo que está haciendo y utilice el sentido común cuando emplee una herramienta eléctrica. No utilice herramientas si está cansado o bajo el efecto de drogas, alcohol o medicamentos.** Un momento de descuido mientras se opera una herramienta eléctrica podría provocar daños personales graves.
- **Vístase apropiadamente. No use ropas holgadas ni joyas. Sujete el cabello largo. Mantenga el cabello, las ropas y los guantes alejados de las piezas móviles.** Las ropas holgadas, las joyas o el cabello largo pueden ser atrapados en las piezas móviles. Se deben evitar los oficios de ventilación, que cubren las piezas móviles.
- **Evite el encendido por accidente. Asegúrese de que el interruptor esté apagado antes de enchufar la herramienta.** Si transporta herramientas con su dedo apoyado sobre el interruptor o conecta una herramienta con el interruptor en posición de encendido, puede propiciar accidentes.
- **Retire las llaves de ajuste o de tuercas antes de encender la herramienta.** Una llave de tuercas o clavija que se deja conectada a una pieza giratoria de la herramienta podría provocar daños personales.
- **No se estire. Conserve el equilibrio adecuado y manténgase parado correctamente en todo momento.** El equilibrio adecuado mientras se está de pie permite un mejor control de la herramienta en situaciones inesperadas.
- **Use equipo de seguridad. Siempre utilice protección para los ojos.** Se debe usar máscara para polvo, calzado de seguridad antideslizante, casco o protección auditiva según corresponda en cada caso.

Uso y cuidados de la herramienta

- **Utilice abrazaderas u otra forma práctica para asegurar y sostener la pieza de trabajo en una plataforma estable.** Sostener el trabajo con la mano o contra el cuerpo no brinda la estabilidad requerida y puede llevar a la pérdida del control.
- **No fuerce la herramienta. Utilice la herramienta correcta para el trabajo que realizará.** La herramienta correcta hará el trabajo mejor y más seguro a la velocidad para la que fue diseñada.
- **No utilice la herramienta si no puede encenderla o apagarla con el interruptor.** Toda herramienta que no puede ser controlada mediante el interruptor es peligrosa y debe ser reparada.
- **Desconecte el enchufe de la fuente de energía antes de realizar algún ajuste, cambiar accesorios o guardar la herramienta.** Estas medidas de seguridad preventivas reducen el riesgo de encender la herramienta en forma accidental.
- **Guarde las herramientas que no están en uso fuera del alcance de los niños y de personas no entrenadas.** Las herramientas son peligrosas en las manos de usuarios no entrenados.
- **Realice un mantenimiento cuidadoso de las herramientas. Mantenga las herramientas de corte afiladas y limpias.** Las herramientas con mantenimiento adecuado, con los bordes de corte afilados son menos propensas a trabarse y son más fáciles de controlar.
- **Controle que no haya piezas móviles mal alineadas o trabadas, piezas rotas y toda otra situación que pueda afectar el funcionamiento de la herramienta. Si encuentra daños, haga reparar la herramienta antes de utilizarla.** Se producen muchos accidentes a causa de las herramientas que carecen de un mantenimiento adecuado.
- **Utilice sólo accesorios recomendados por el fabricante para el modelo que posee.** Los accesorios que pueden ser aptos para una herramienta, pueden convertirse en un factor de riesgo cuando se los utiliza en otra herramienta.

Mantenimiento

- **El mantenimiento de la herramienta debe ser realizado únicamente por personal de reparaciones calificado.** El mantenimiento realizado por personal no calificado puede provocar riesgo de lesiones personales.
- **Al reparar una herramienta, sólo utilice piezas de repuesto idénticas. Siga las instrucciones de la sección de Mantenimiento de este manual.** El uso de piezas no autorizadas o el incumplimiento de las instrucciones de mantenimiento pueden crear un riesgo de descarga eléctrica o lesiones.

Normas de seguridad específicas

- **Sostenga la herramienta por las superficies de agarre aisladas cuando realice una operación donde la herramienta de corte puede tocar cables eléctricos escondidos o su propio cable.** El contacto con un cable con "corriente eléctrica" hará que las partes metálicas expuestas de la herramienta tengan "corriente eléctrica" y el operador sufra una descarga eléctrica.

INFORMACIÓN DE MANTENIMIENTO

Todos los Centros de servicio de Black & Decker cuentan con personal altamente capacitado dispuesto a brindar a todos los clientes un servicio eficiente y confiable en la reparación de herramientas eléctricas. Si necesita consejo técnico, reparaciones o piezas de repuesto originales de fábrica, póngase en contacto con el centro de servicio de Black & Decker más cercano a su domicilio. Para ubicar su centro de servicio local, consulte la sección "Herramientas eléctricas" (Tools-Electric) de las páginas amarillas, llame al **1-800-544-6986** o visite nuestro sitio **www.blackanddecker.com**.

GARANTÍA COMPLETA DE DOS AÑOS PARA USO EN EL HOGAR

Black & Decker (Estados Unidos) Inc. ofrece una garantía de dos años por cualquier defecto del material o de fabricación de este producto. El producto defectuoso se reparará o reemplazará sin costo alguno de dos maneras.

La primera opción, el reemplazo, es devolver el producto al comercio donde se adquirió (siempre y cuando se trate de un comercio participante). Las devoluciones deben realizarse conforme a la política de devolución del comercio (generalmente, entre 30 y 90 días posteriores a la venta). Le pueden solicitar comprobante de compra. Consulte en el comercio acerca de la política especial sobre devoluciones una vez excedido el plazo establecido.

La segunda opción es llevar o enviar el producto (con flete pago) a un Centro de servicio propio o autorizado de Black & Decker para su reparación o reemplazo según nuestro criterio. Le pueden solicitar el comprobante de compra. Los Centros de servicio autorizados y de propiedad de Black & Decker se detallan en la sección "Herramientas eléctricas" (Tools-Electric) de las páginas amarillas de la guía telefónica.

Esta garantía no se extiende a los accesorios. Esta garantía le concede derechos legales específicos; usted puede tener otros derechos que pueden variar según el estado o la provincia. Si tiene alguna pregunta, comuníquese con el gerente del Centro de servicio de Black & Decker de su zona. Este producto no está diseñado para uso comercial.

AMÉRICA LATINA: esta garantía no se aplica a los productos que se venden en América Latina. Para los productos que se venden en América Latina, debe consultar la información de la garantía específica del país que viene en el empaque, llamar a la compañía local o visitar el sitio Web a fin de obtener esa información.

· GARANTÍA BLACK & DECKER · BLACK & DECKER WARRANTY · SOLAMENTE PARA PROPOSITOS DE MEXICO

Distributor Name · **Sello firma del distribuidor**

Date of purchase · **Fecha de compra**

Invoice No. · **No. de factura**

PRODUCT INFORMATION · IDENTIFICACIÓN DEL PRODUCTO

Cat. No. · **Catalogo ó Modelo**

Serial Number · **No. de serie**

Name · **Nombre**

Last Name · **Apellido**

Address · **Dirección**

City · **Ciudad**

State · **Estado**

Postal Code · **Código Postal**

Country · **País**

Telephone · **No. Teléfono**

2 AÑOS DE GARANTIA

Este producto cuenta con dos años de garantía a partir de la fecha de compra contra cualquier defecto de su funcionamiento, así como cualquier falla debido a materiales empleados para su fabricación ó mano de obra defectuosa.

Nuestra garantía incluye la reparación o reposición del producto y/o componentes sin cargo alguno para el cliente incluyendo la mano de obra, esta incluye los gastos de trasportación erogados para lograr cumplimiento de esta garantía en los domicilios diversos señalados.

Para hacer efectiva esta garantía deberá presentar su herramienta y esta póliza sellada por el establecimiento comercial donde se adquirió el producto.

Nos comprometemos a entregar el producto en un lapso no mayor a 30 días hábiles contados a partir de la fecha de recepción del mismo en nuestros talleres de servicio autorizados.

ESTA GARANTIA NO APLICA CUANDO:

El producto se hubiese utilizado en condiciones distintas a las normales.

El producto no hubiese sido operado de acuerdo con el instructivo de uso que se acompaña.

El producto hubiese sido alterado o reparado por personas no autorizadas por nosotros

Importador: Black & Decker S.A. de .C.V

Bosque de Cidros Acceso Radiatas No.42

3ra.Seccion de Bosques de las lomas

C.P.05120, Mexico, D.F. Tel: (01 55) 5326 7100

SOLAMENTE PARA PROPOSITOS DE MEXICO

Grupo Realsa en herramientas, S.A. de C.V.

Súper Manzana 69 MZ.01 Lote 30
(Av. Torcasita)
Col. Puerto Juárez
Cancún, Quintana Roo
Tel. 01 998 884 72 27

Ferre Pat de Puebla, S.A. de C.V.

16 de Septiembre No. 6149
Col. El Cerrito
Puebla, Puebla
Tel. 01 222 264 12 12

Ferre Pat de Puebla, S.A. de C.V.

Ejército Mexicano No. 15
Col. Ejido 1ro. de Mayo
Boca del Rio, Veracruz
Tel. 01 229 167 89 89

Servicio de Fabrica Black & Decker, S.A. de C.V.

Lázaro Cardenas No. 18
Col. Obrera
Distrito Federal
Tel. 55 88 95 02

Representaciones Industriales Robles, S.A. de C.V.

Tezozomoc No. 89
Col. La Preciosa
Distrito Federal
Tel. 55 61 86 82

Gpo. Comercial de Htas. y Refacciones de Occidente, S.A. de C.V.

Av. La Paz No. 1779
Col. Americana, S. Juaréz
Guadalajara, Jalisco
Tel. 01 33 38 25 69 78

PARA OTRAS LOCALIDADES LLAME AL 01 800 847 2309 o 01 800 847 2312.

**Vea "Herramientas
eléctricas (Tools-Electric)"
- Páginas amarillas -
para Servicio y ventas**



BLACK & DECKER S.A. DE C.V.
BOSQUES DE CIDROS ACCESO RADIATAS NO. 42
COL. BOSQUES DE LAS LOMAS.
05120 MÉXICO, D.F.
TEL. (01 55) 5326 7100
01 800 847 2309/01 800 847 2312

Epecificaciones

RS600, RS501

Tensión de alimentación	120 V CA
Potencia nominal:	949 W
Consumo de corriente:	8,5 A
Frecuencia de operación:	60 Hz